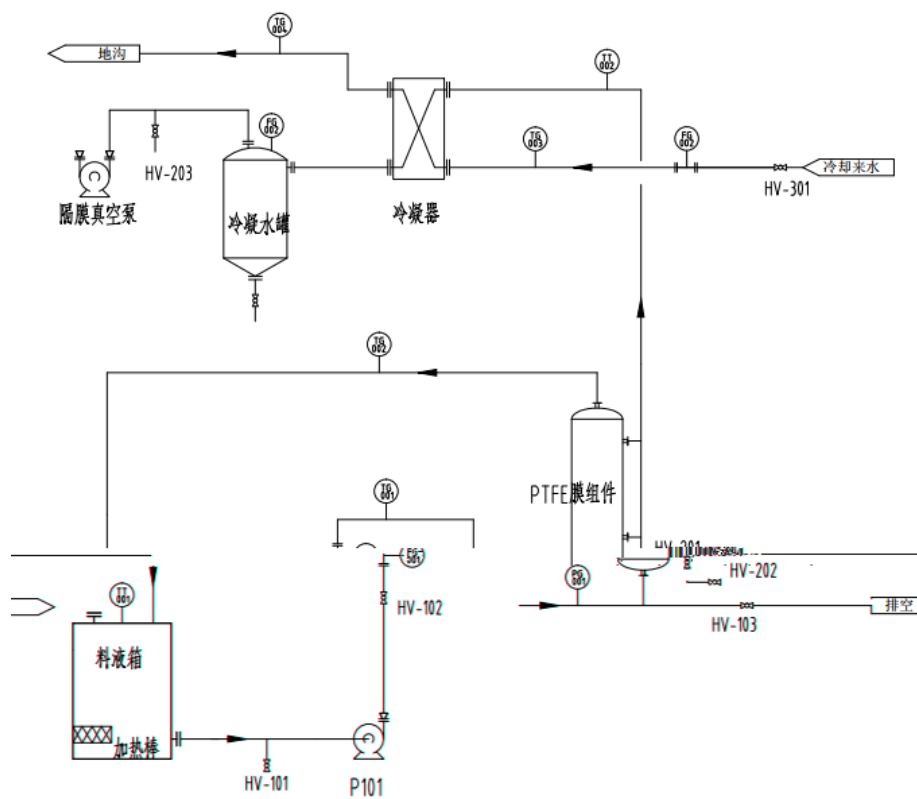


WTM-VMD2020-1



1

2

3

4

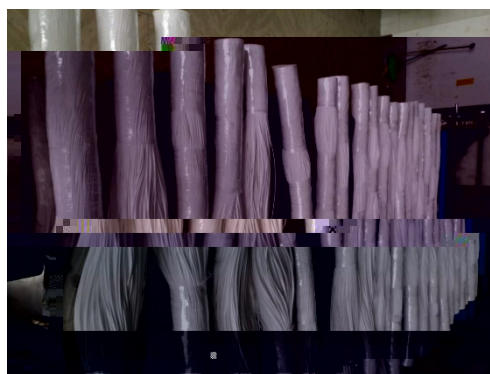
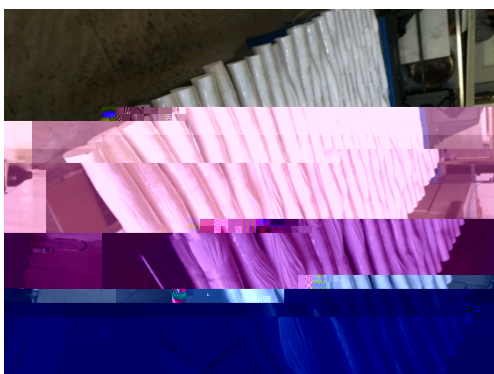
PTFE

PTFE

PP

PVDF

PTFE





PTFE



PTFE

1

2

pH

20%

3

-

| | | | |
|--|---------|----------------|--|
| | | | |
| | — | | |
| | | | |
| | 50*L500 | | |
| | 0.7 | m ² | |
| | 3-5 | LMH | |
| | 2.1—3.5 | L/h | |
| | | | |
| | | | |
| | | | |
| | | | |
| | 0-14 | | |
| | 4--80 | | |
| | | | |
| | | | |
| | | | |
| | | | |
| | | | |

| | | | | |
|----|--|---------------------------|---|--|
| | | | | |
| 1 | | PE 20L | 1 | |
| 2 | | PVDF | 1 | |
| 3 | | MD2020 PTFE 2 0.7 CPVC | 1 | |
| 4 | | | 1 | |
| 5 | | 2.5KW | 1 | |
| 6 | | | 1 | |
| 7 | | 3L | 1 | |
| 8 | | | | |
| 9 | | | | |
| 10 | | | | |
| 11 | | DN15 | 1 | |
| 12 | | DN15 | 1 | |
| 13 | | DN15 | 1 | |
| 14 | | DN15 | 1 | |
| 15 | | | 1 | |
| 16 | | | 1 | |

